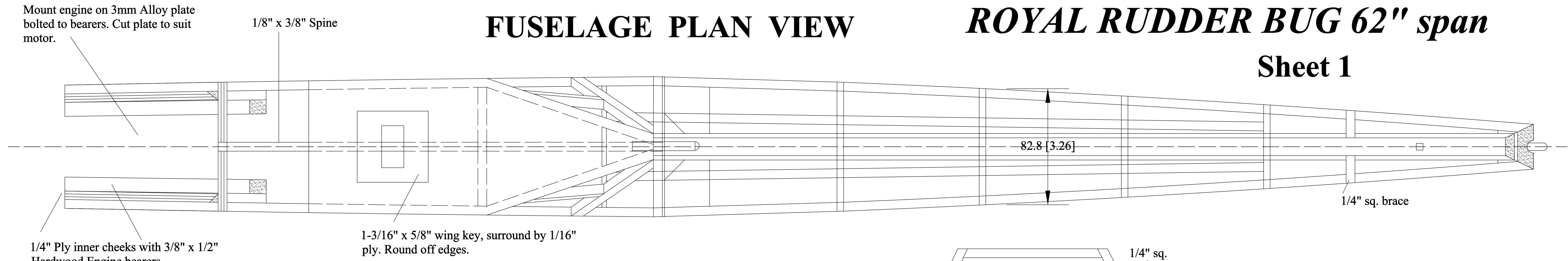


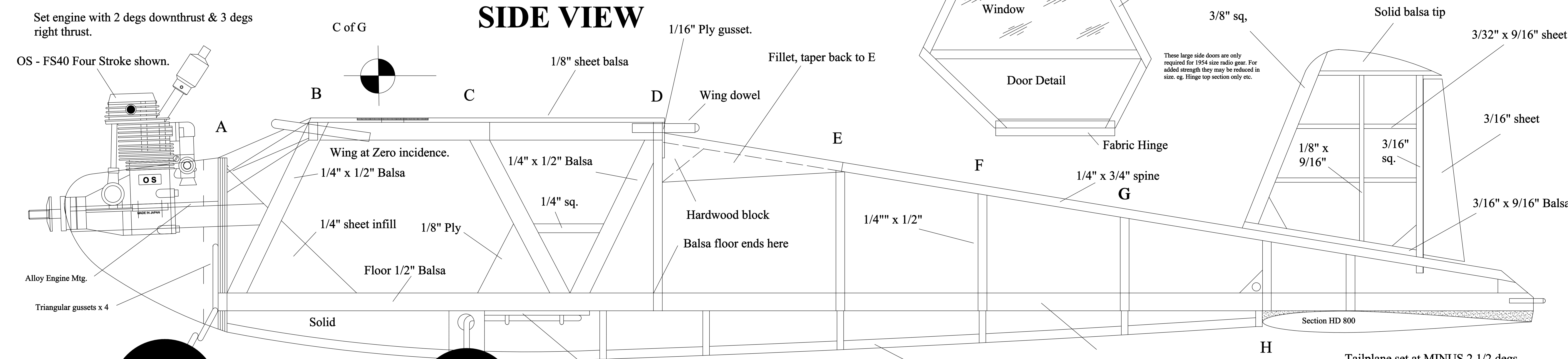
FUSELAGE PLAN VIEW

ROYAL RUDDER BUG 62" span

Sheet 1



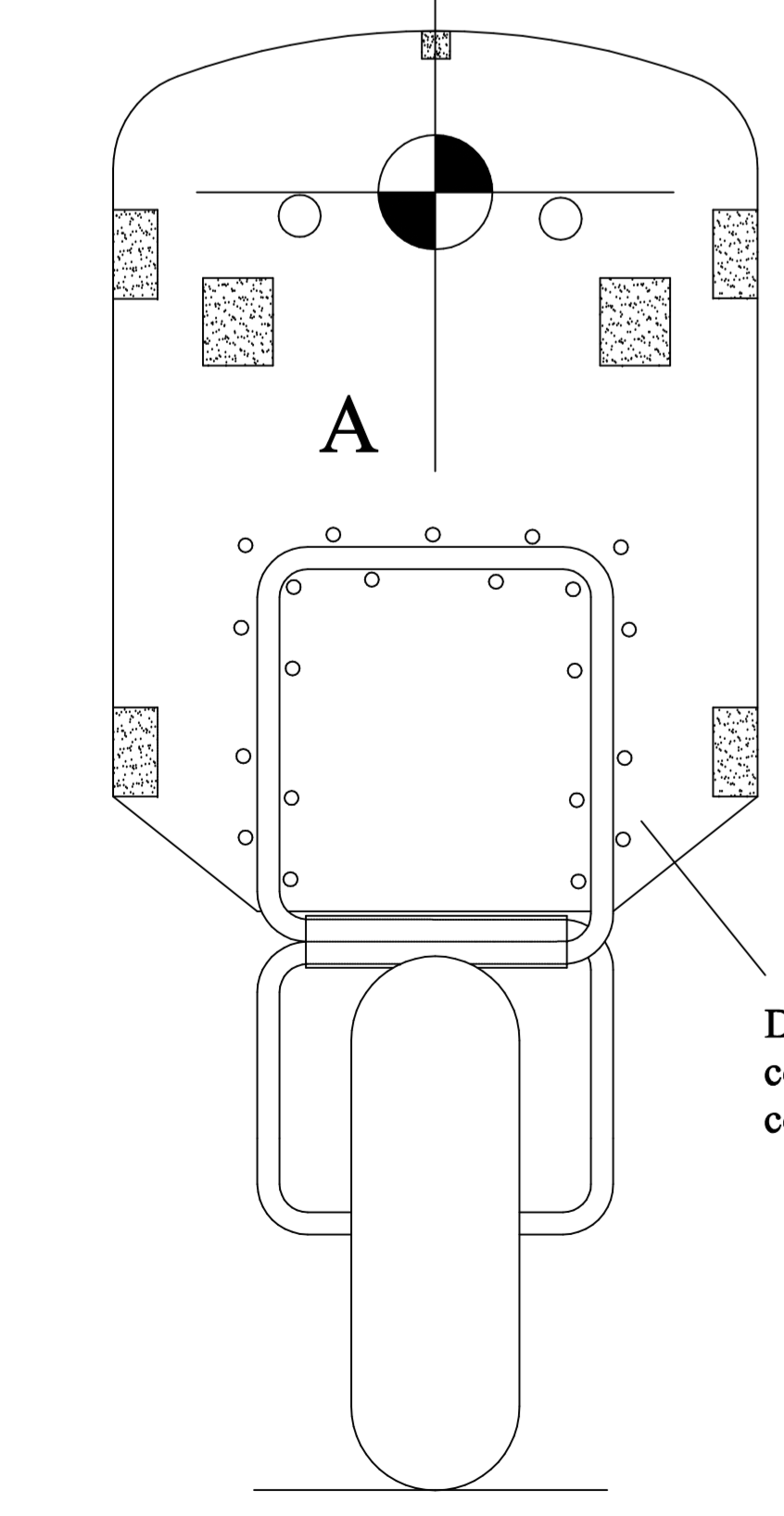
SIDE VIEW



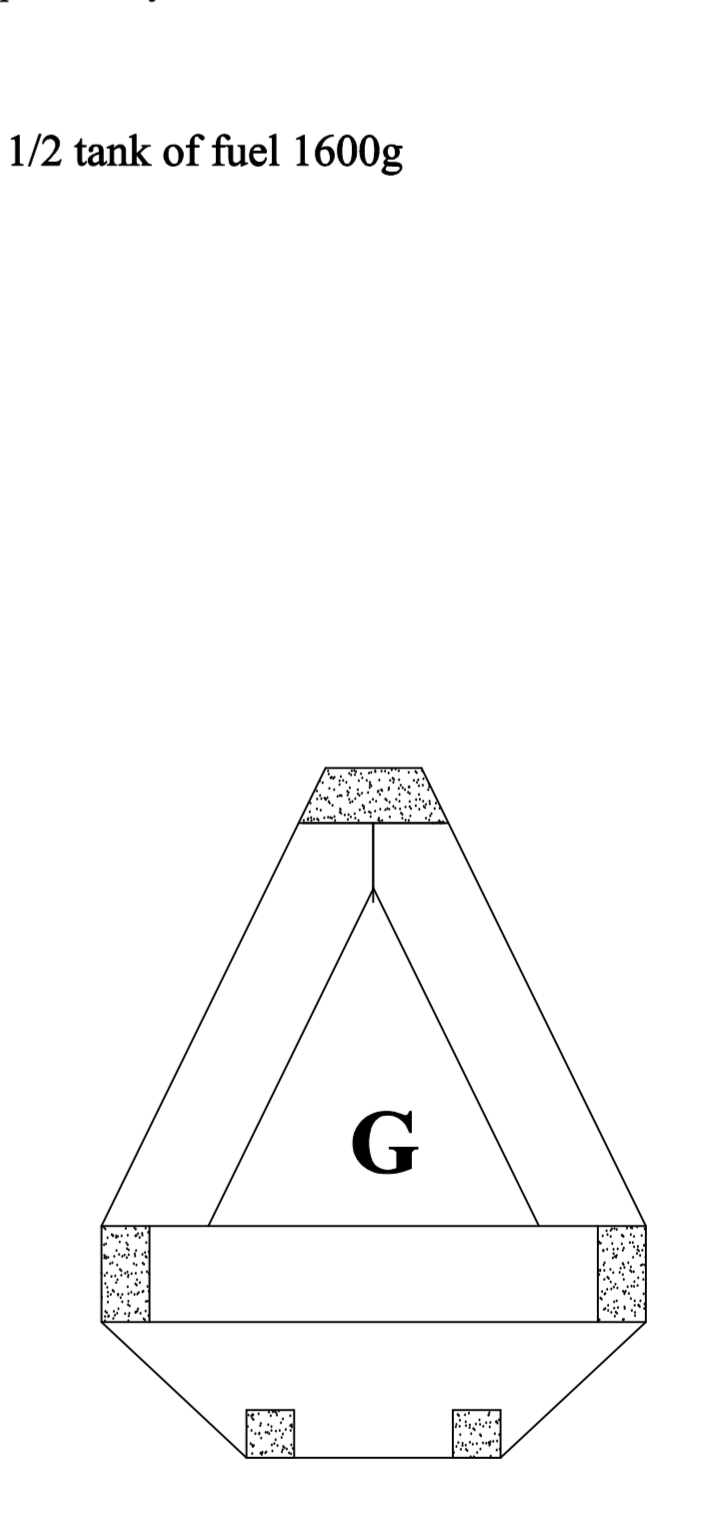
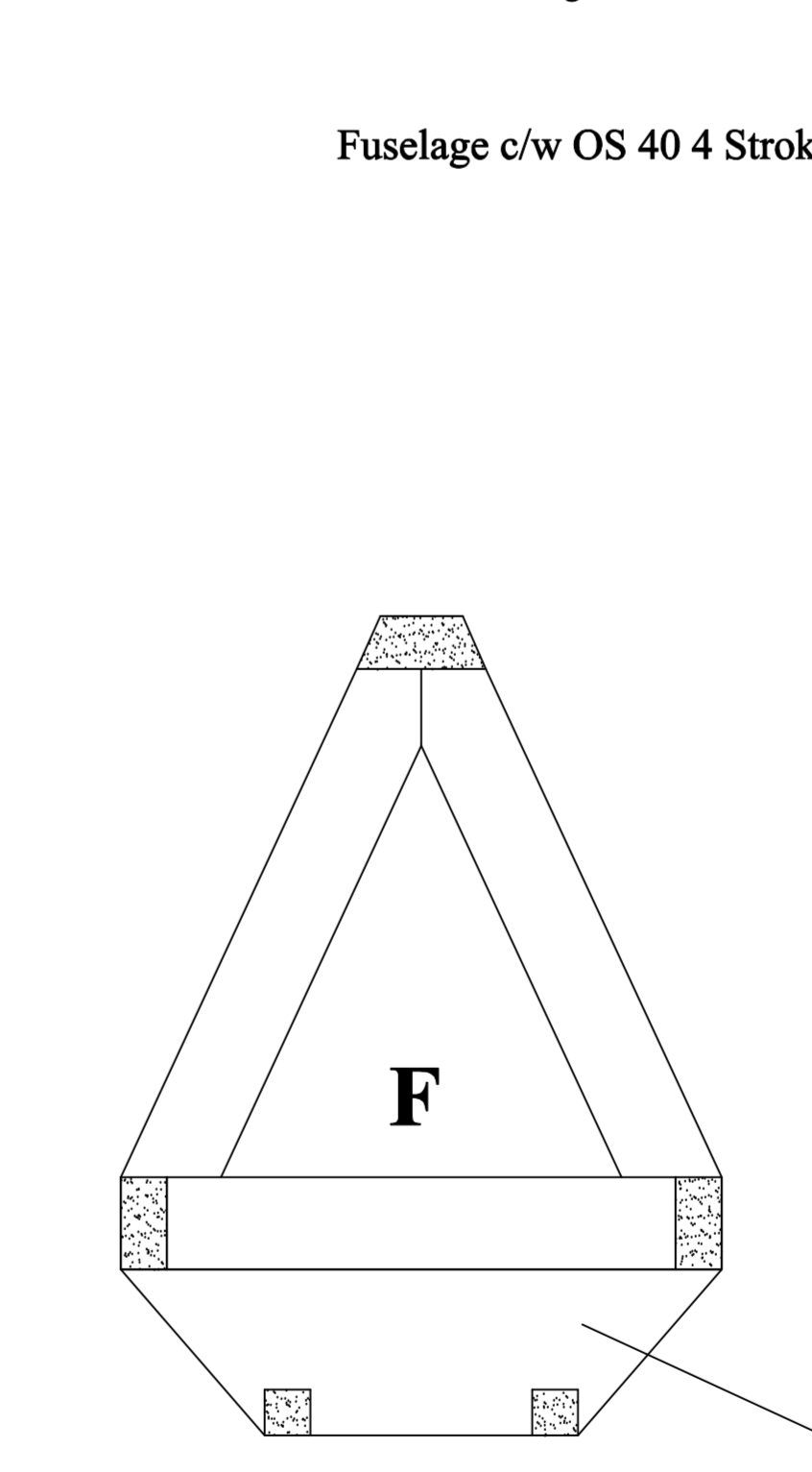
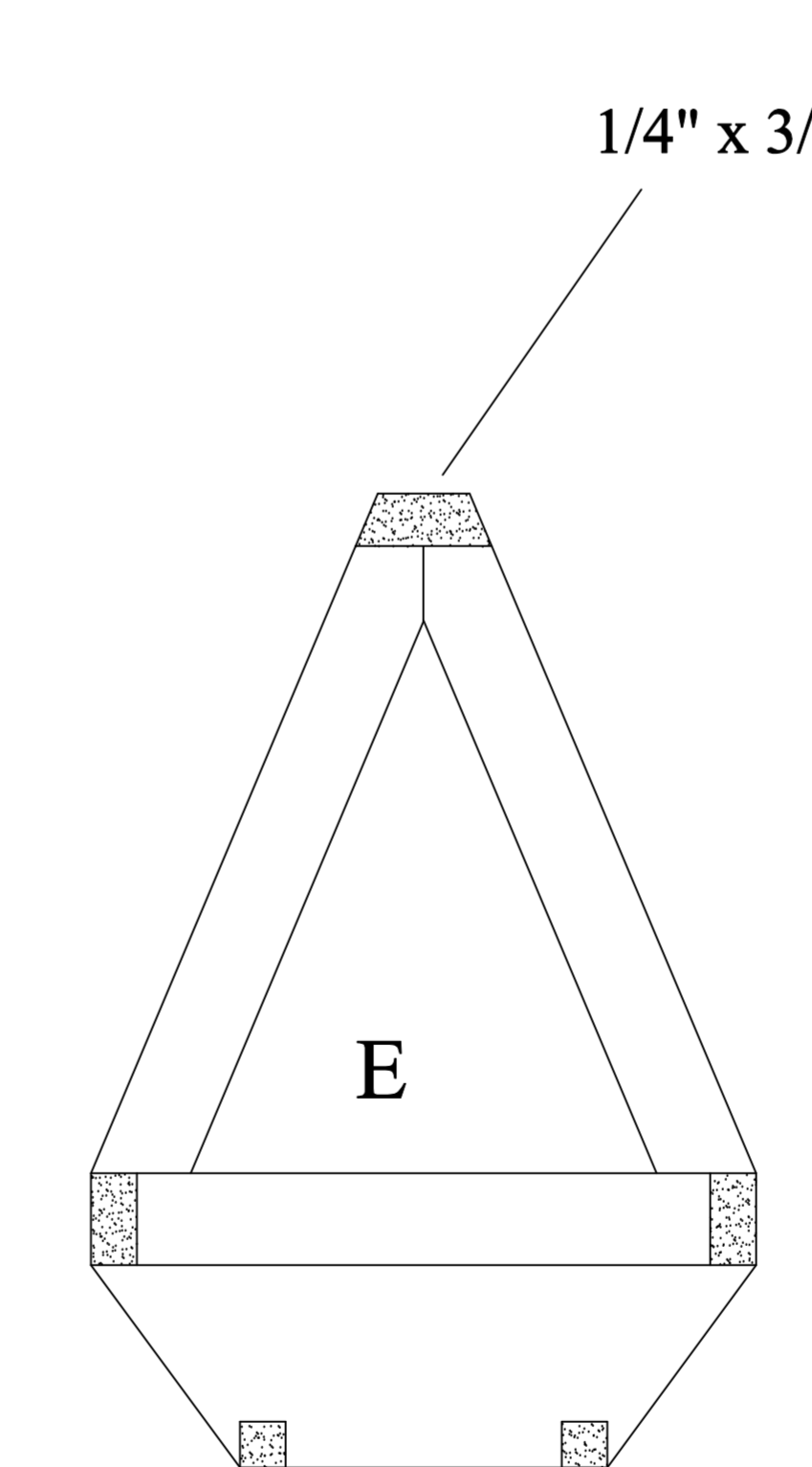
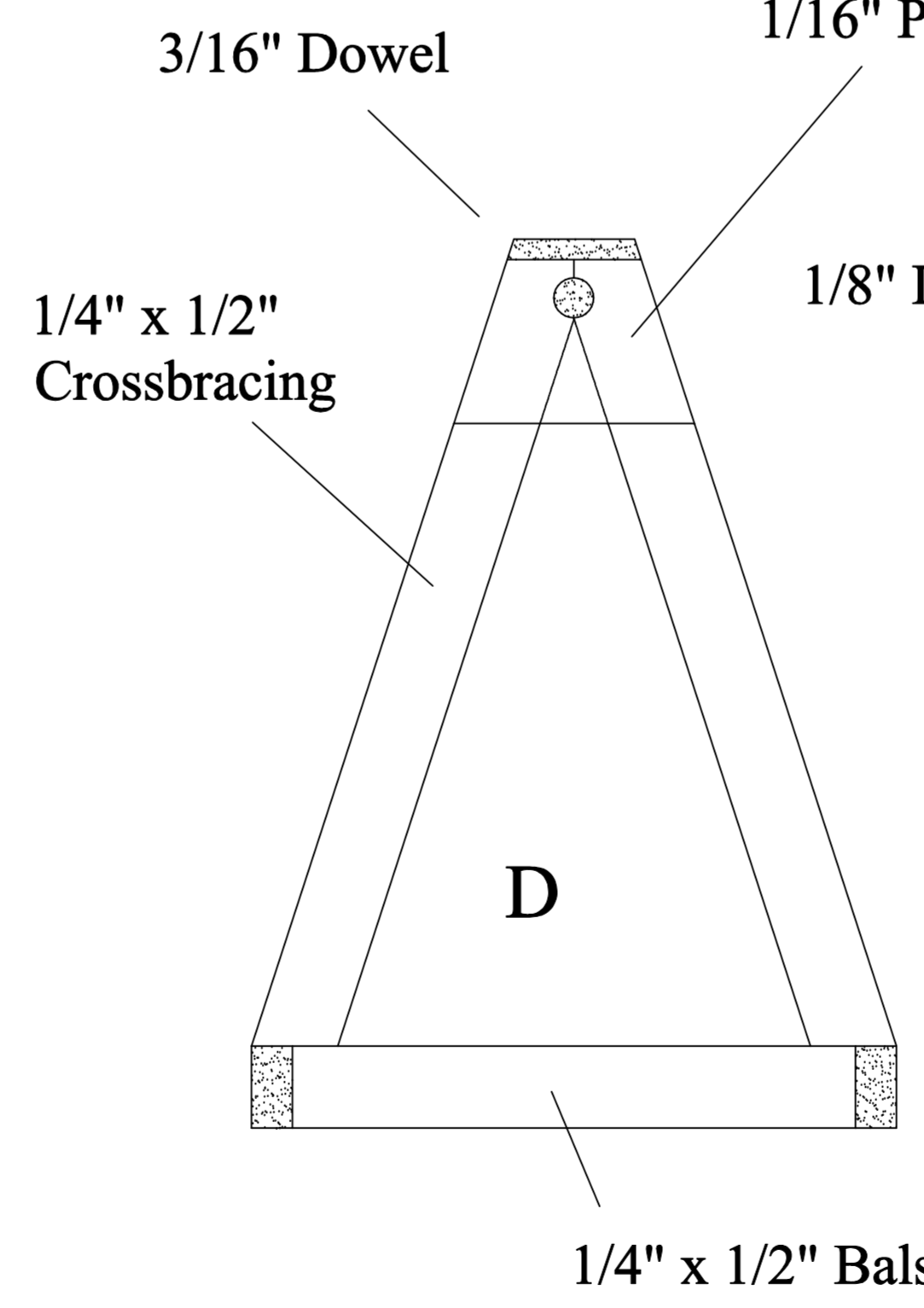
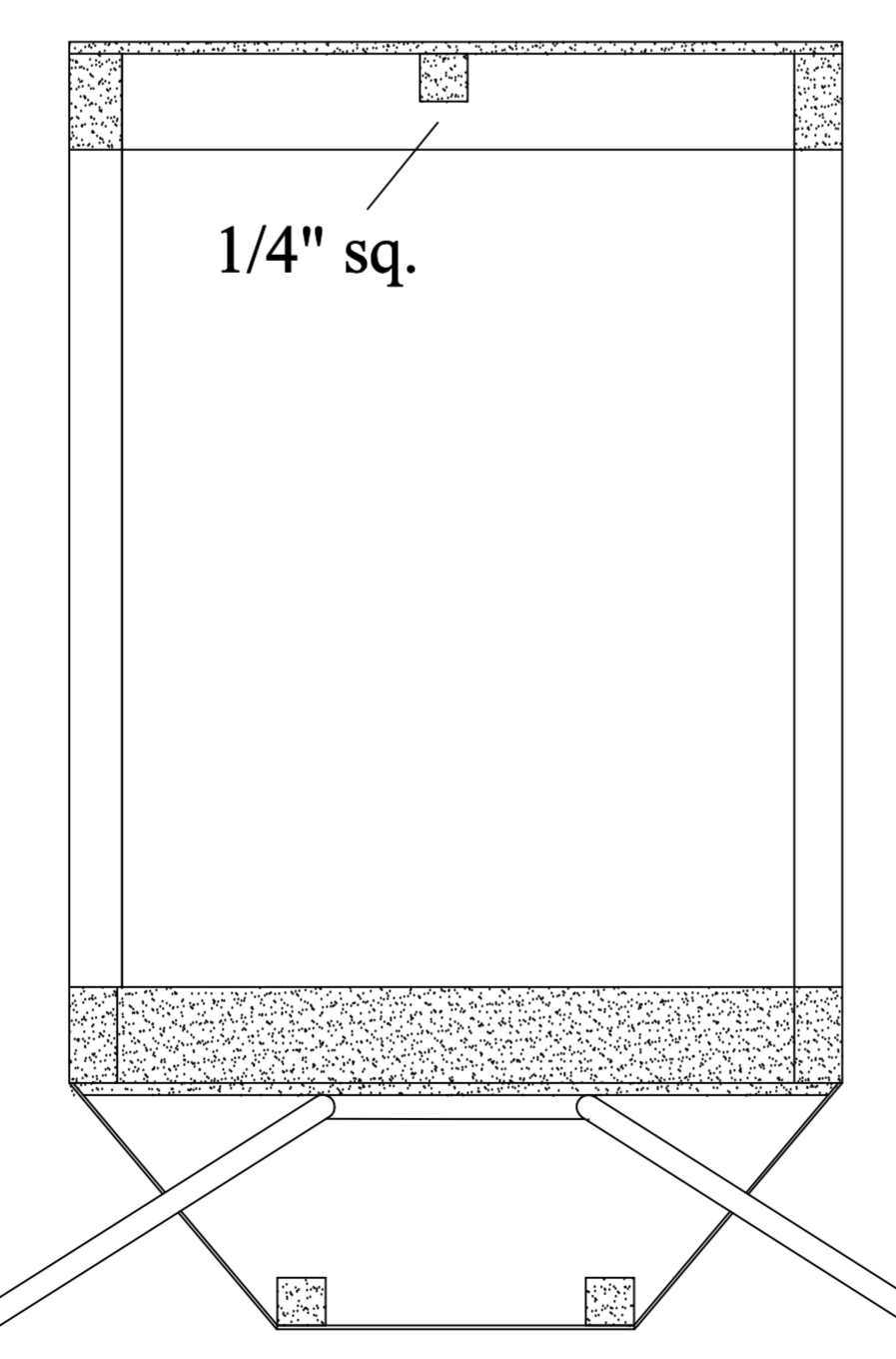
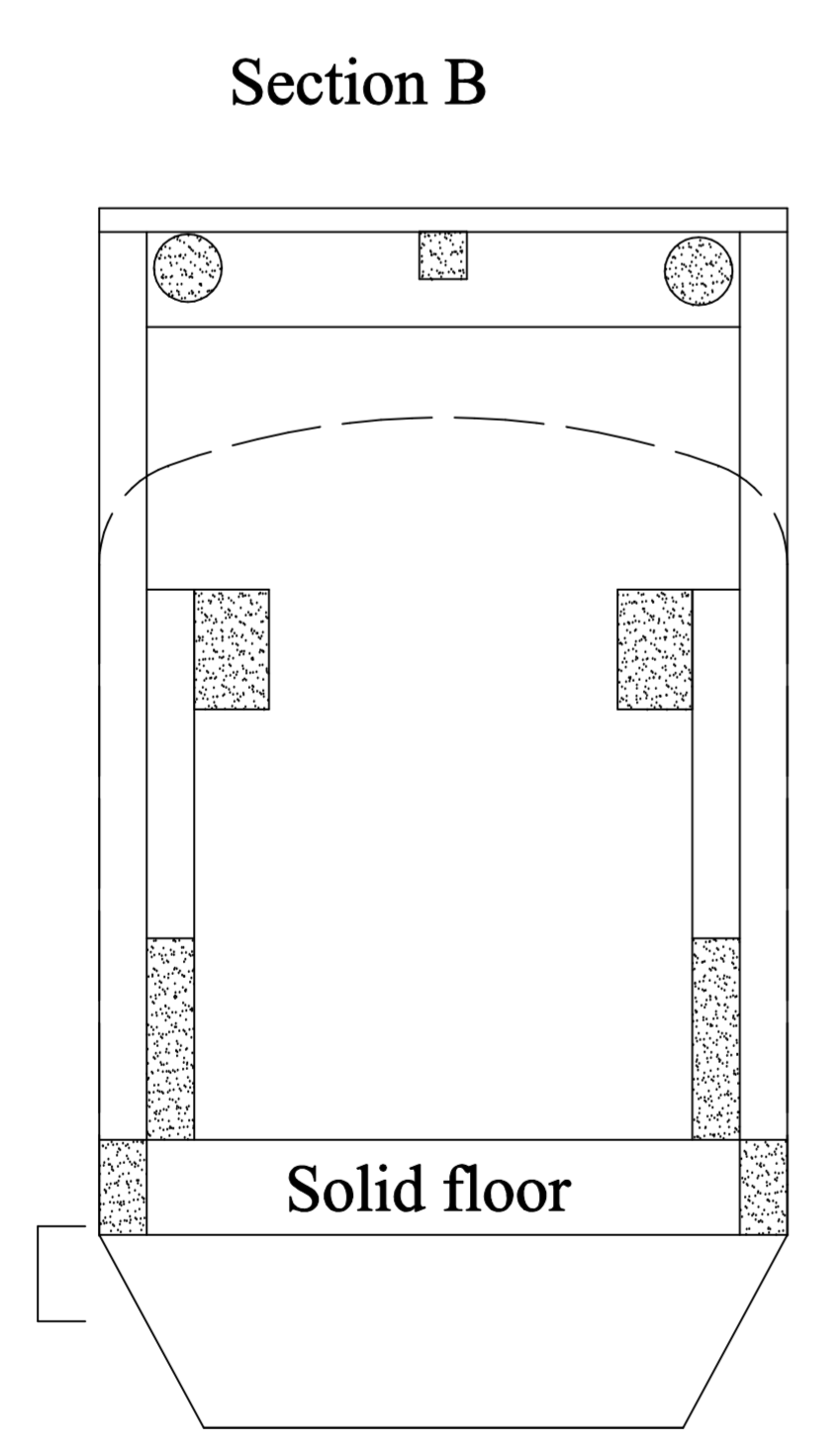
These large side doors are only required for 1954 size radio gear. For added strength they may be reduced in size. eg. Hinge top section only etc.

Due to its unique shape the Fuselage is quite hard to build. One method is to fit the Firewall to the lower longerons, with the Firewall hanging over the edge of the building board. Assemble the triangular rear formers c/w capstrip. Assemble the wing deck and sloping longerons B and tack with superglue. Then build up the rest by cut & fit. Remove from board and fit enderbelly, wheels etc.

Firewall 1/4" Marine Plywood Drill & Notch for Fuel Line, Throttle & Longerons as req'd



Drill bulkhead prior to assy and stitch u/c with copper wire & epoxy after assy. or use commercial u/c clamps x 3



Fuselage formers looking forwards.

