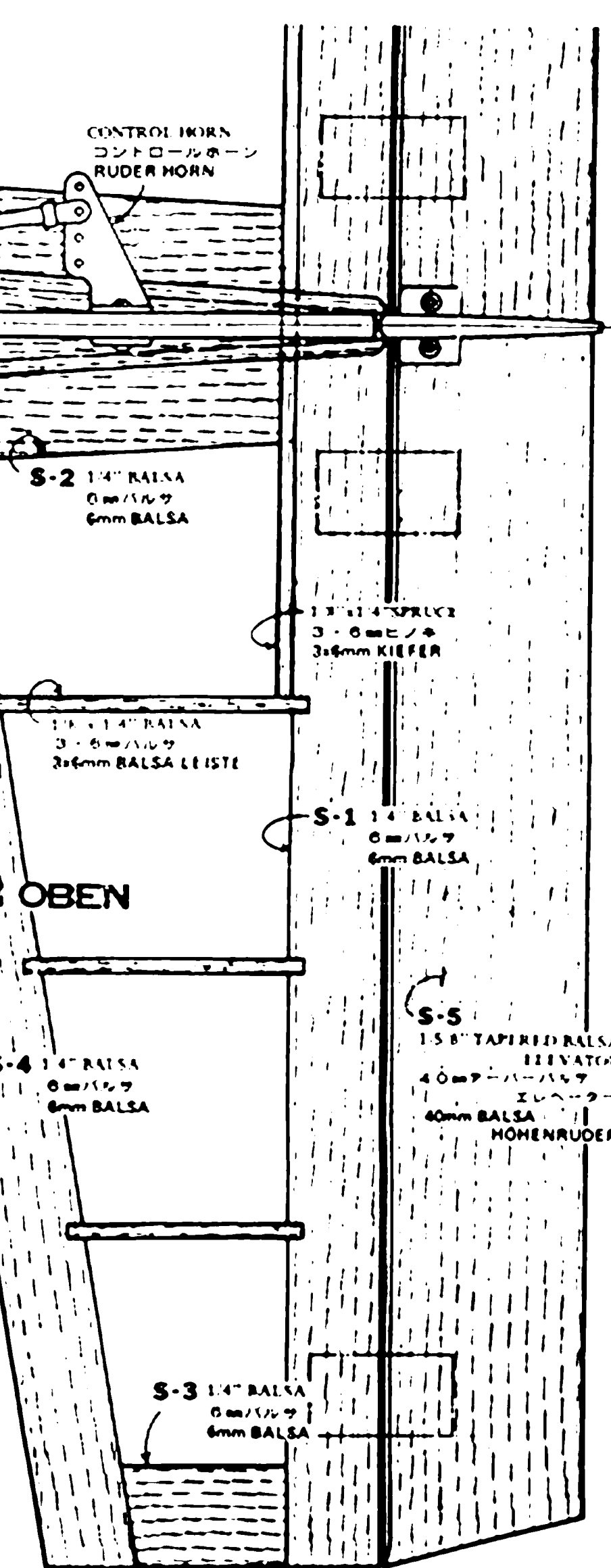
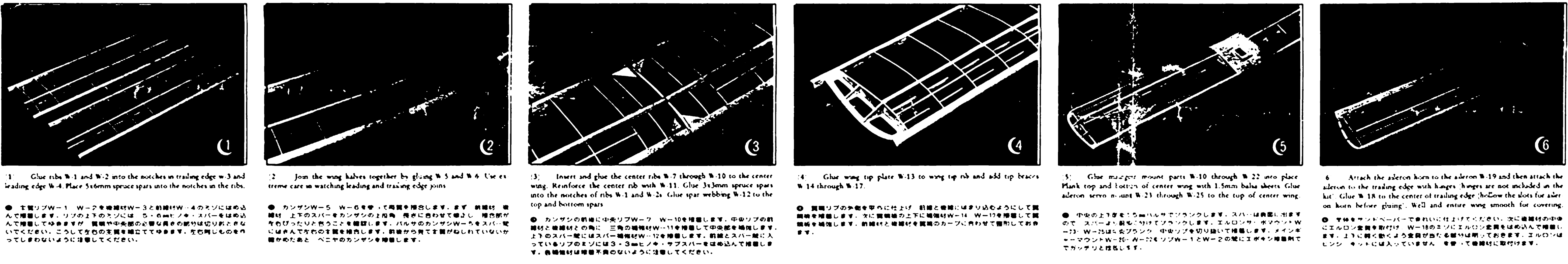


FUSELAGE TOP VIEW
胴体上面図
RUMPFANSICHT VON OBEN



STAB TOP VIEW
尾翼上面図
HÖHENRUDER ANSICHT VON OBEN

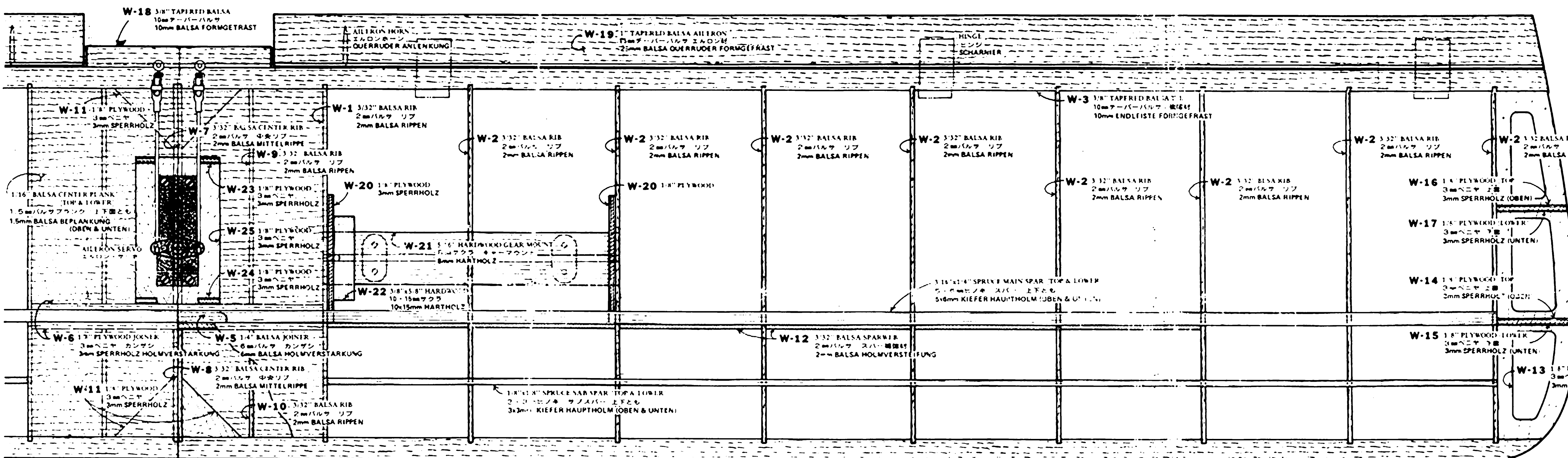
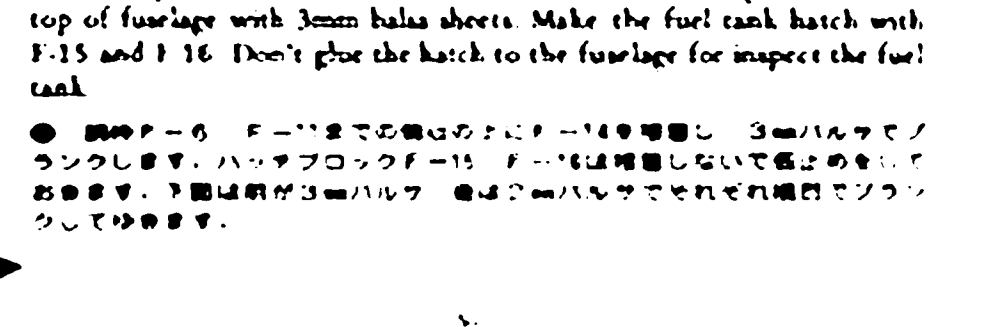
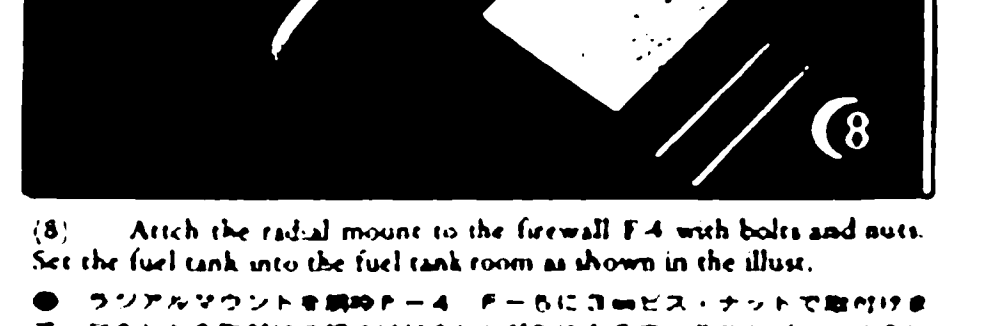
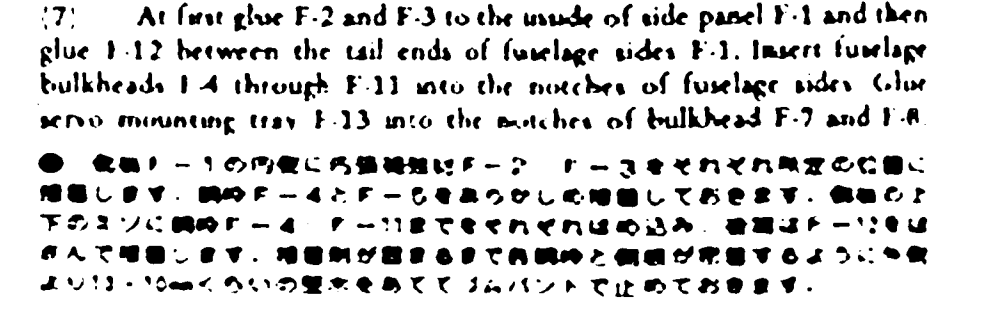


1. Glue ribs #1 and #2 into the notches in trailing edge #3 and leading edge #4. Place 3x3mm spacers into the notches in the ribs.
 2. Join the wing halves together by gluing #5 and #6. Use a steam car in watching leading and trailing edge joint.
 3. Insert and glue the center ribs #7 through #10 to the center wing. Reinforce the center rib with #11. Glue 3x3mm spacers into the notches of ribs #1 and #2. Glue spar webbing #12 to the top and bottom parts.
 4. Glue wing top plate #13 to wing top rib and add tip brace #14 through #17.
 5. Glue motor mount parts #19 through #22 into place. Plank top and bottom of center wing with 1.5mm balsa sheets. Glue aileron servo mount #23 through #25 to the top of center wing.
 6. Attach the aileron horn to the aileron #19 and then attach the aileron to the trailing edge with hinges. Hinges are not included in the kit. Glue #18 to the center of trailing edge. Glue the slots for aileron horn before gluing. #22 and center wing smooth for covering.

LENGTH 37 inches
 WING SPAN 52 inches
 WING AREA 426.14 sq.in
 WEIGHT 51.54 oz
 ENGINE 19.25
 RADIO 3.4 channel

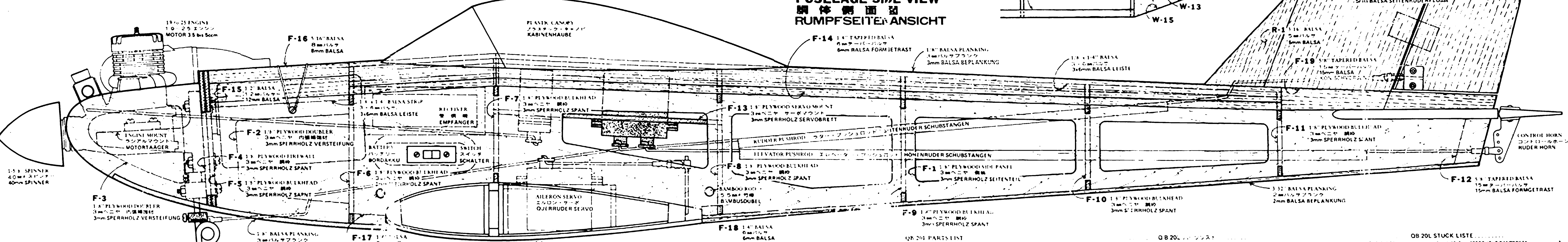
寸法 935mm
 全長 1320mm
 主翼幅 27.56m
 主翼面積 1650.1550sq
 エンジン 19.25
 RCチャネル 3.4ch

全長 935mm
 全幅 1320mm
 主翼面積 27.56m²
 グリッチ 1450.1550g
 モーター 3.5 5ccm
 フェルステuerung 3.4kanäle



WING TOP VIEW
主翼上面図
FLÄCHENANSICHT VON OBEN

FUSELAGE SIDE VIEW
胴体側面図
RUMPFSEITENSICHT

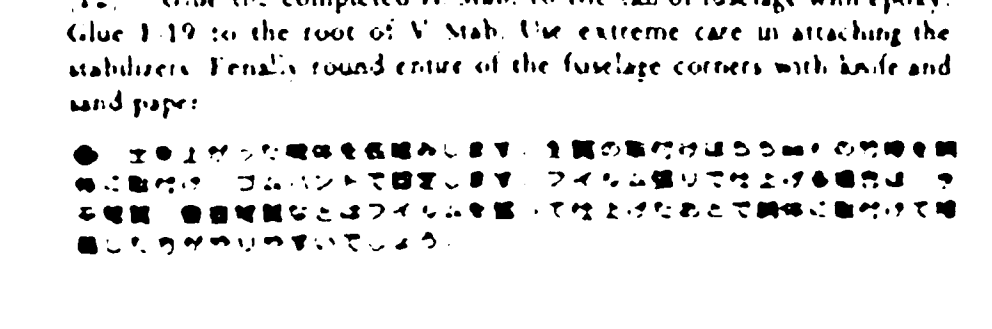
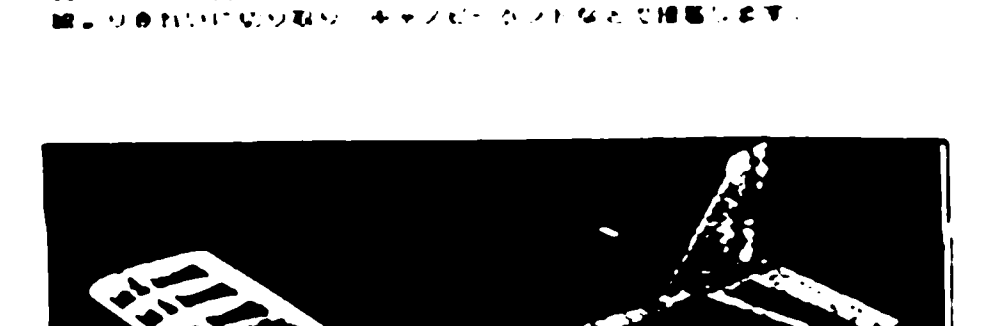
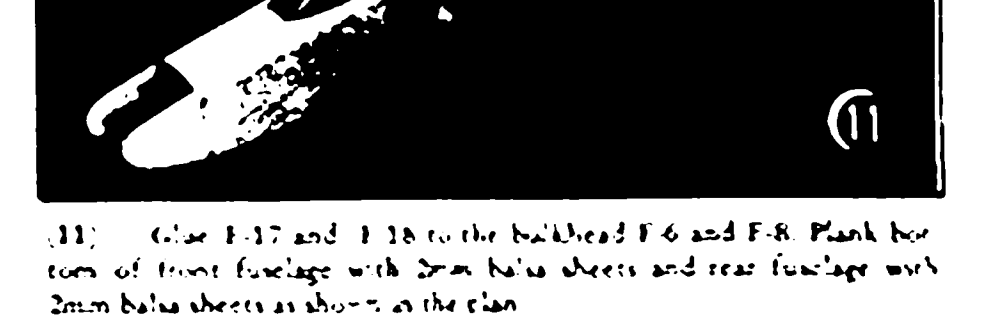
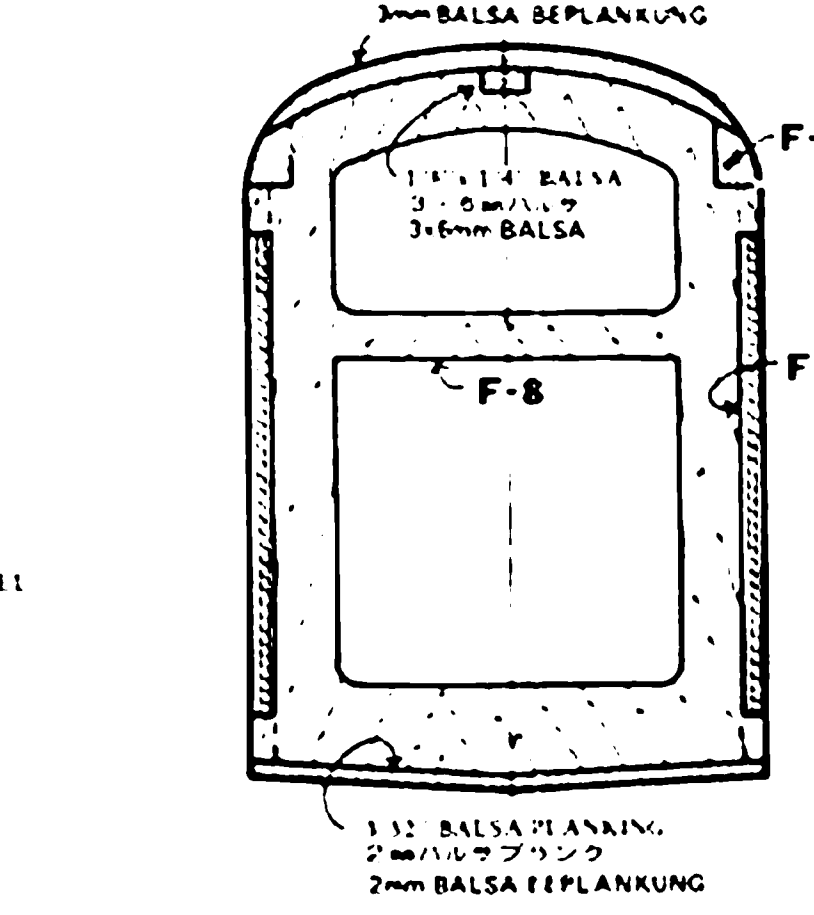
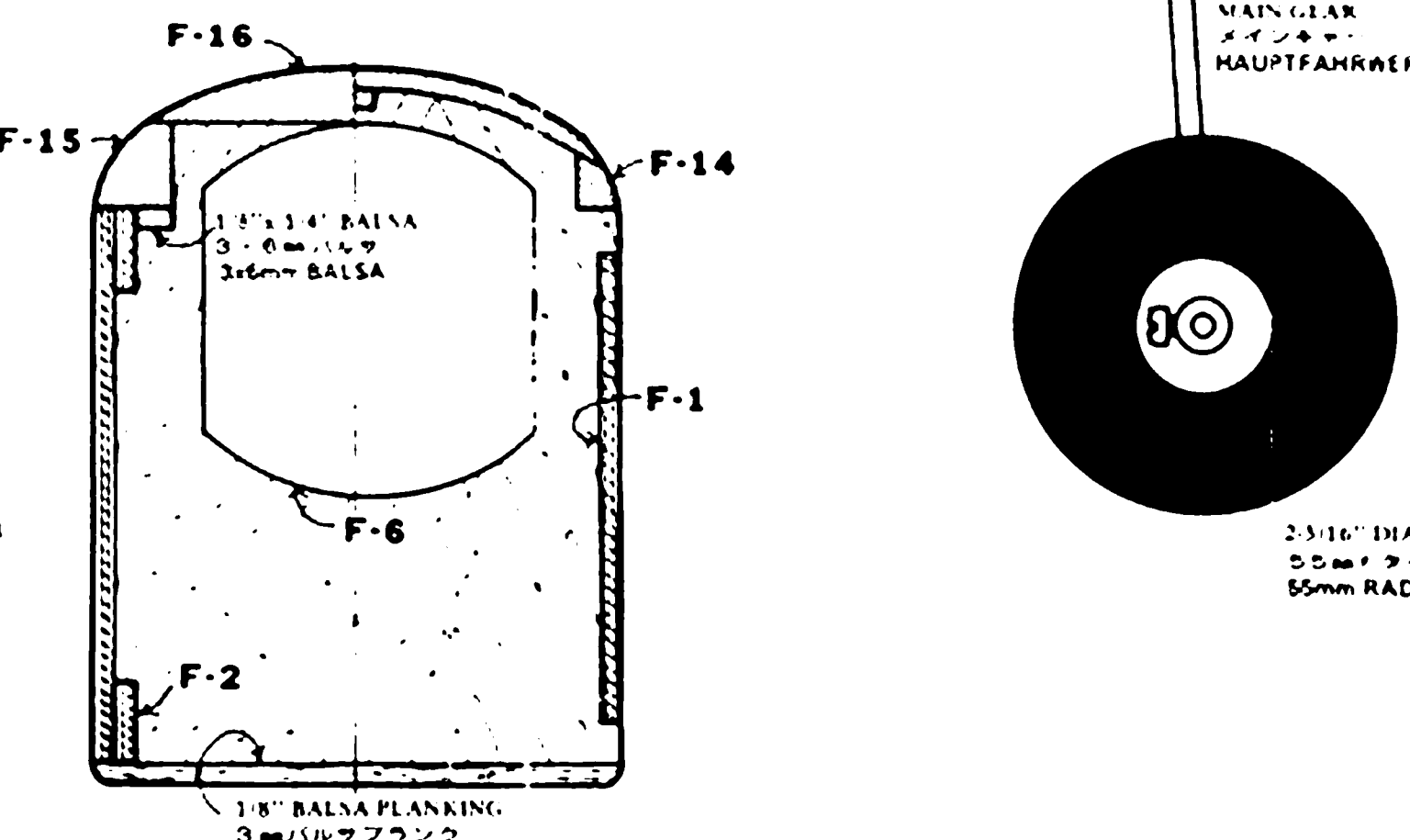
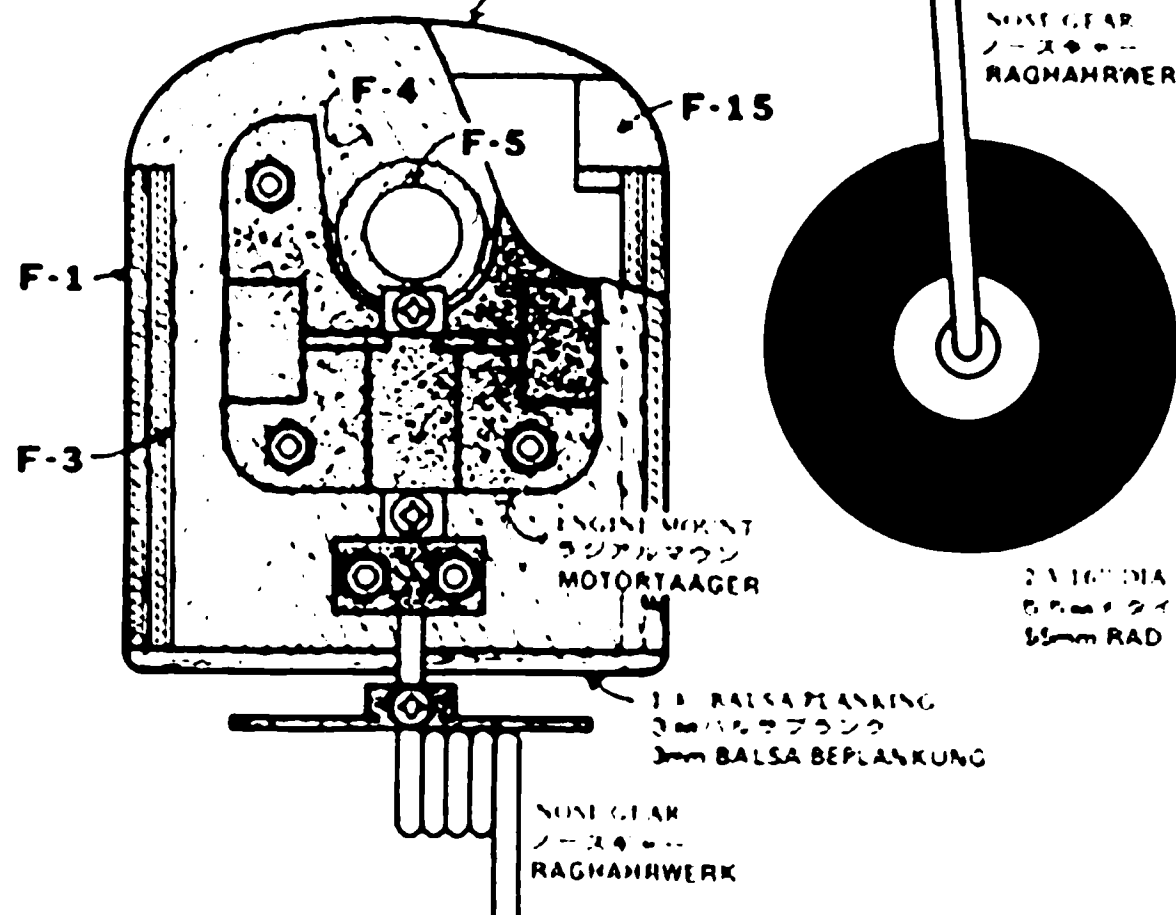


Q.B.20L PARTS LIST

F-1	1.5" PLYWOOD CENTER PLANK
F-2	1.5" PLYWOOD CENTER RIB
F-3	1.5" PLYWOOD CENTER RIB
F-4	1.5" PLYWOOD CENTER RIB
F-5	1.5" PLYWOOD CENTER RIB
F-6	1.5" PLYWOOD CENTER RIB
F-7	1.5" PLYWOOD CENTER RIB
F-8	1.5" PLYWOOD CENTER RIB
F-9	1.5" PLYWOOD CENTER RIB
F-10	1.5" PLYWOOD CENTER RIB
F-11	1.5" PLYWOOD CENTER RIB
F-12	1.5" PLYWOOD CENTER RIB
F-13	1.5" PLYWOOD CENTER RIB
F-14	1.5" PLYWOOD CENTER RIB
F-15	1.5" PLYWOOD CENTER RIB
F-16	1.5" PLYWOOD CENTER RIB
F-17	1.5" PLYWOOD CENTER RIB
F-18	1.5" PLYWOOD CENTER RIB
F-19	1.5" PLYWOOD CENTER RIB
F-20	1.5" PLYWOOD CENTER RIB
F-21	1.5" PLYWOOD CENTER RIB
F-22	1.5" PLYWOOD CENTER RIB
F-23	1.5" PLYWOOD CENTER RIB
F-24	1.5" PLYWOOD CENTER RIB
F-25	1.5" PLYWOOD CENTER RIB

Q.B.20L STUCK LIST

S-1	1.5" PLYWOOD CENTER RIB
S-2	1.5" PLYWOOD CENTER RIB
S-3	1.5" PLYWOOD CENTER RIB
S-4	1.5" PLYWOOD CENTER RIB
S-5	1.5" PLYWOOD CENTER RIB
S-6	1.5" PLYWOOD CENTER RIB
S-7	1.5" PLYWOOD CENTER RIB
S-8	1.5" PLYWOOD CENTER RIB
S-9	1.5" PLYWOOD CENTER RIB
S-10	1.5" PLYWOOD CENTER RIB
S-11	1.5" PLYWOOD CENTER RIB
S-12	1.5" PLYWOOD CENTER RIB
S-13	1.5" PLYWOOD CENTER RIB
S-14	1.5" PLYWOOD CENTER RIB
S-15	1.5" PLYWOOD CENTER RIB
S-16	1.5" PLYWOOD CENTER RIB
S-17	1.5" PLYWOOD CENTER RIB
S-18	1.5" PLYWOOD CENTER RIB
S-19	1.5" PLYWOOD CENTER RIB
S-20	1.5" PLYWOOD CENTER RIB



7. At first glue F-2 and F-3 to the inside of side panel F-1 and then glue F-12 between the tail ends of fuselage sides F-1. Insert fuselage bulkheads F-4 through F-11 into the notches of fuselage sides. Glue servo mounting tray F-13 into the notches of bulkhead F-7 and F-8.
 8. Attach the radial mount to the fuselage with bolts and nuts. Set the fuel tank into the fuel tank room as shown in the illustration.
 9. Glue 3x3mm spacers S-2 and both S-3 to the S-1 as shown. Glue the leading edge S-4 to the front of frame. Glue the 3x3mm balsa stab ribs into the notches in the leading and trailing edge members. Round the edges of the H-stab and ailerons S-5 and then attach entire assembly. Attach the ailerons S-5 to the H-stab with hinges. Glue S-1 and S-2 at each other and attach the V-stab assembly and rudder with the sand paper. Attach the rudder R-3 to the trailing edge of V-stab with hinges.
 10. Glue 3x3mm spacers S-5 and both S-3 to the S-1 as shown. Glue the leading edge S-4 to the front of frame. Glue the 3x3mm balsa stab ribs into the notches in the leading and trailing edge members. Round the edges of the H-stab and ailerons S-5 and then attach entire assembly. Attach the ailerons S-5 to the H-stab with hinges. Glue S-1 and S-2 at each other and attach the V-stab assembly and rudder with the sand paper. Attach the rudder R-3 to the trailing edge of V-stab with hinges.
 11. Glue F-17 and F-18 to the bulkheads F-6 and F-8. Plank top and bottom of center wing with 1.5mm balsa sheets and rear fuselage with 3mm balsa sheets as shown in the illustration.
 12. Glue the completed H-stab to the tail of fuselage with spacers. Glue F-19 to the root of V-stab. Use extreme care in attaching the stabilizers. Finally round entire of the fuselage corners with knife and sand paper.

13. Glue the motor mount to the fuselage with spacers. Glue F-19 to the root of V-stab. Use extreme care in attaching the stabilizers. Finally round entire of the fuselage corners with knife and sand paper.
 14. Glue the motor mount to the fuselage with spacers. Glue F-19 to the root of V-stab. Use extreme care in attaching the stabilizers. Finally round entire of the fuselage corners with knife and sand paper.
 15. Glue the motor mount to the fuselage with spacers. Glue F-19 to the root of V-stab. Use extreme care in attaching the stabilizers. Finally round entire of the fuselage corners with knife and sand paper.
 16. Glue the motor mount to the fuselage with spacers. Glue F-19 to the root of V-stab. Use extreme care in attaching the stabilizers. Finally round entire of the fuselage corners with knife and sand paper.
 17. Glue the motor mount to the fuselage with spacers. Glue F-19 to the root of V-stab. Use extreme care in attaching the stabilizers. Finally round entire of the fuselage corners with knife and sand paper.



Quick Built Series Q.B.20L II
By OK MODEL CO.,LTD.