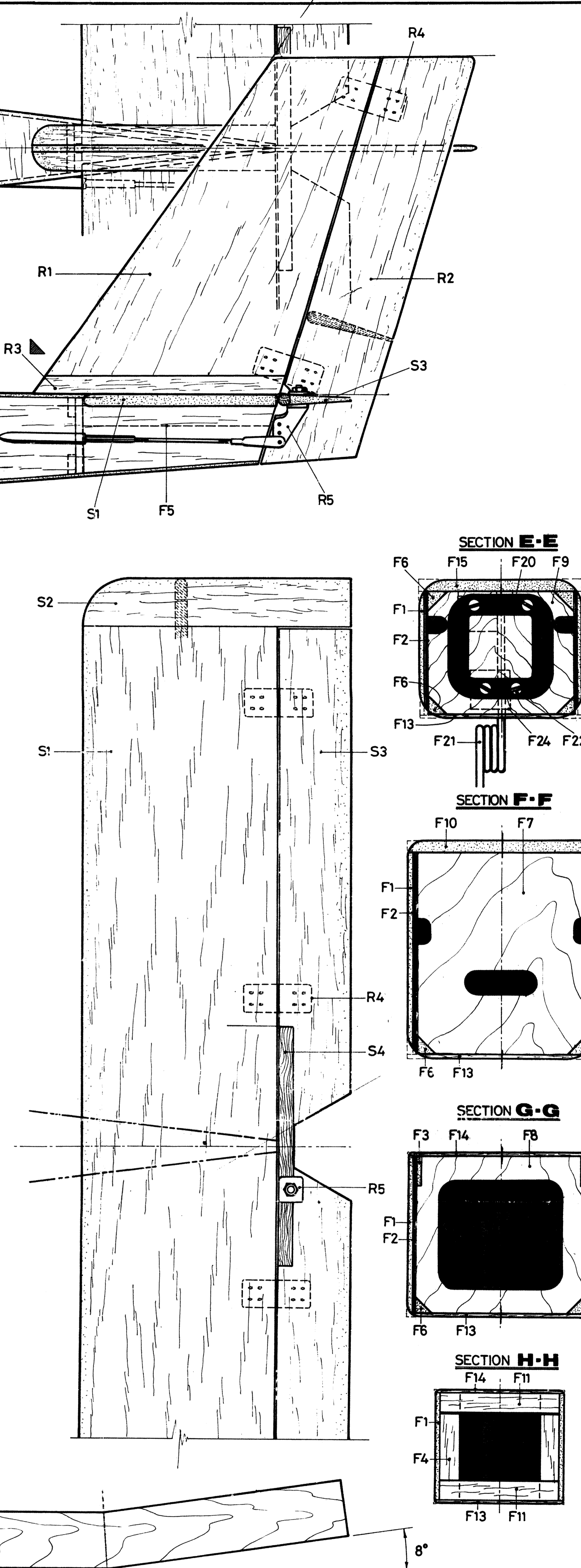
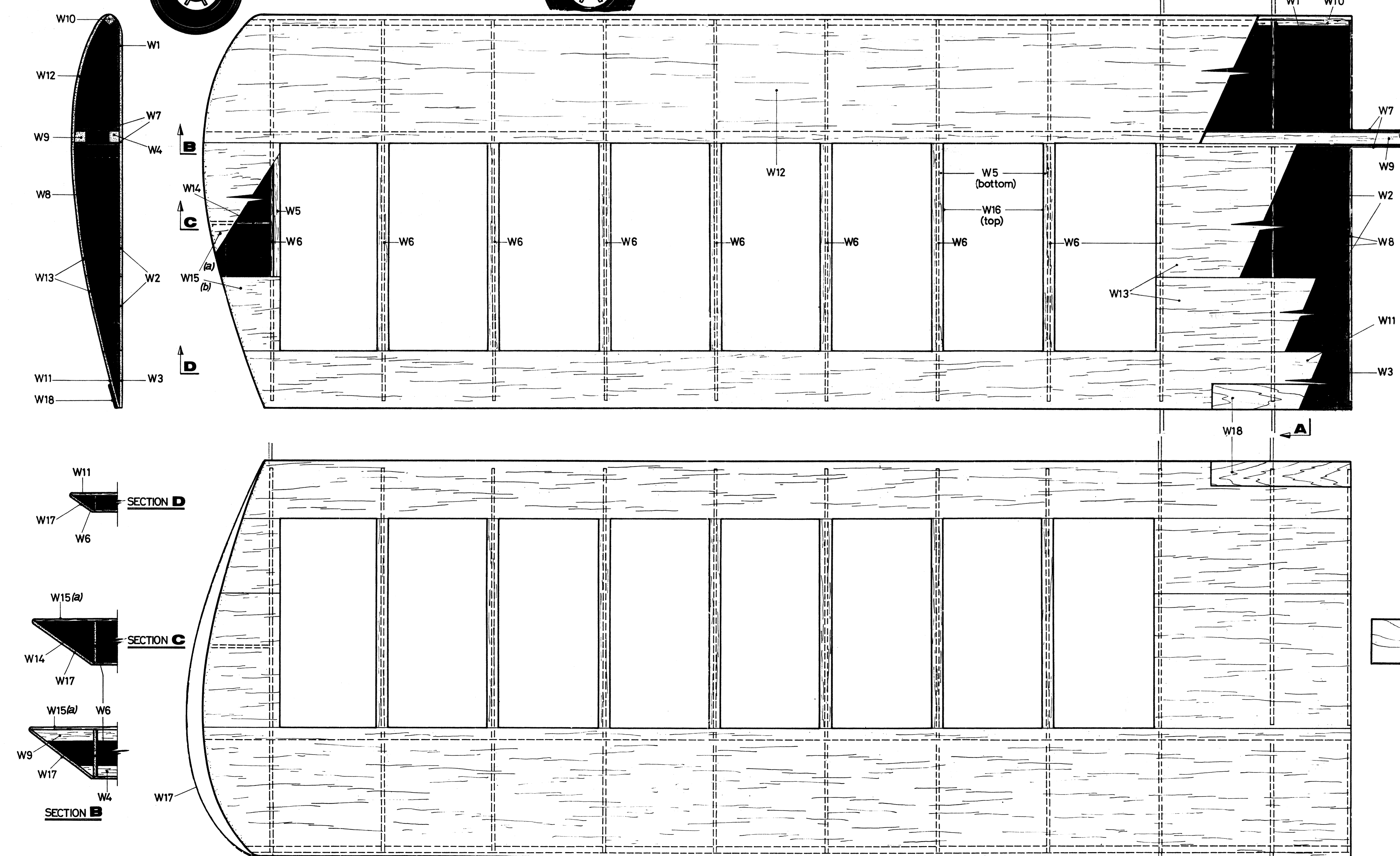
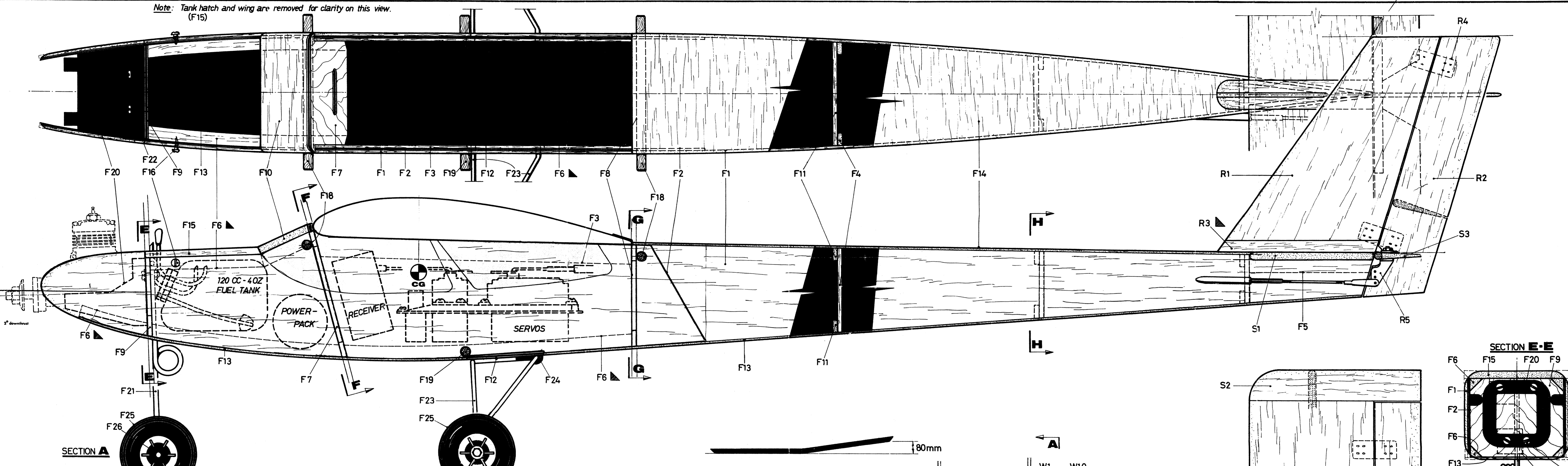


Note: Tank hatch and wing are removed for clarity on this view.
(F15)



POLO
SVENSON
MODELS BELGIUM

Technical Data:
SPAN: 1200mm
WING AREA: 23,8dm²
TOTAL AREA: 29 dm²
WEIGHT INCL. R/C: ± 1300 gr
WING LOADING: ± 44gr/dm²
ENGINE: 7-3 cc