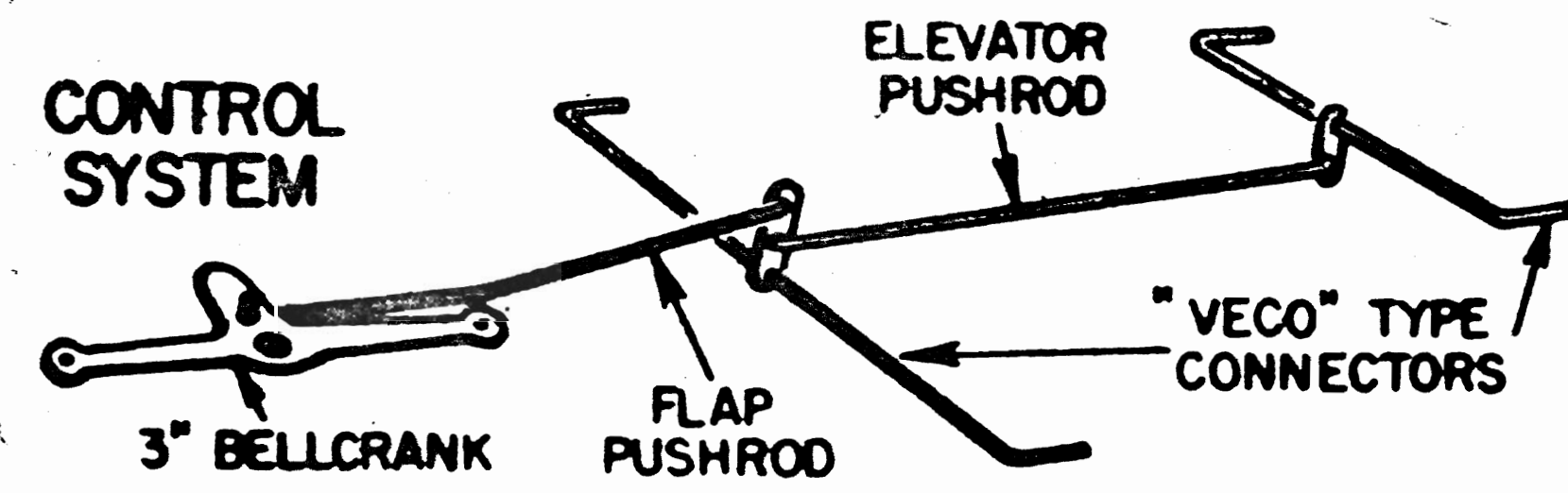
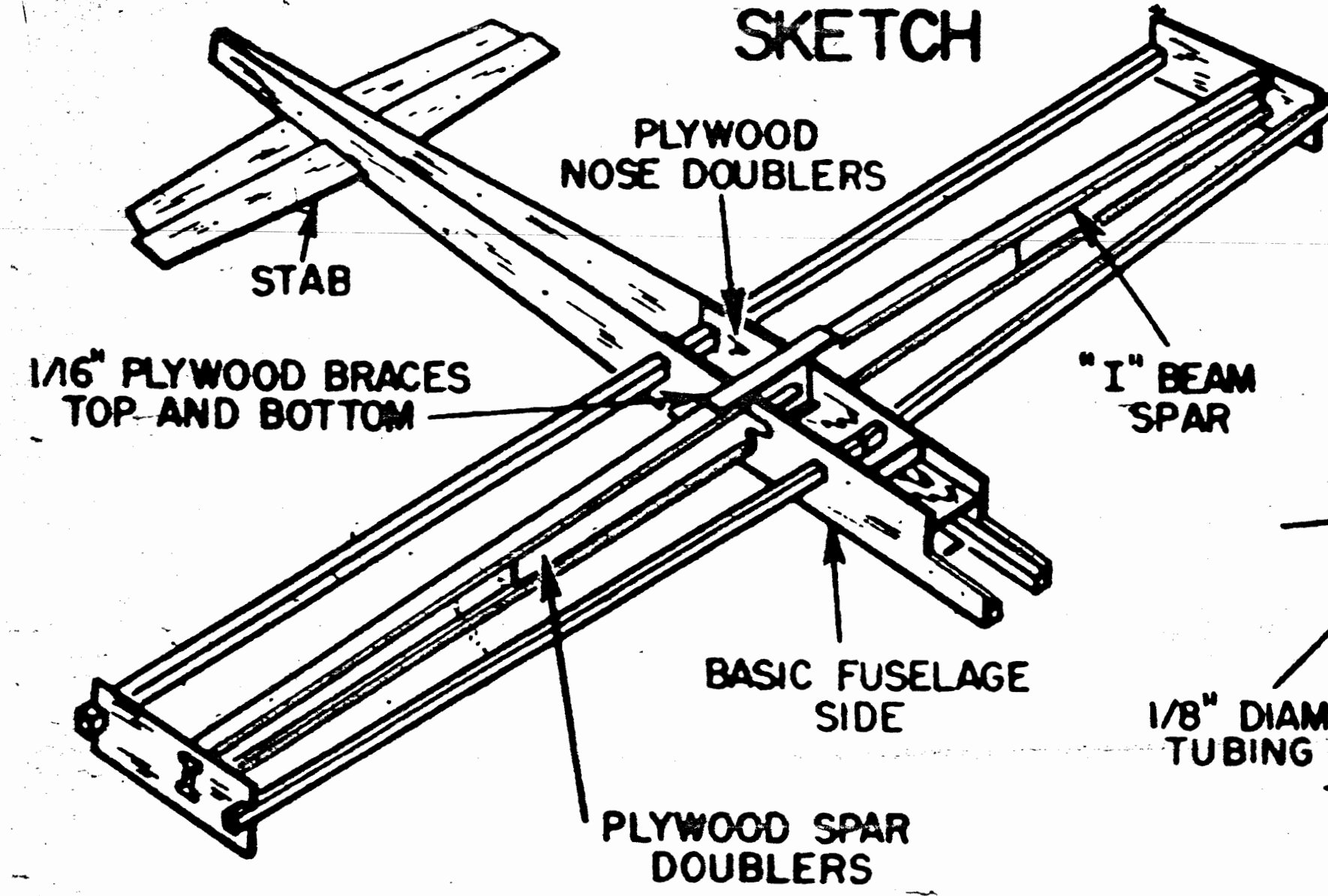
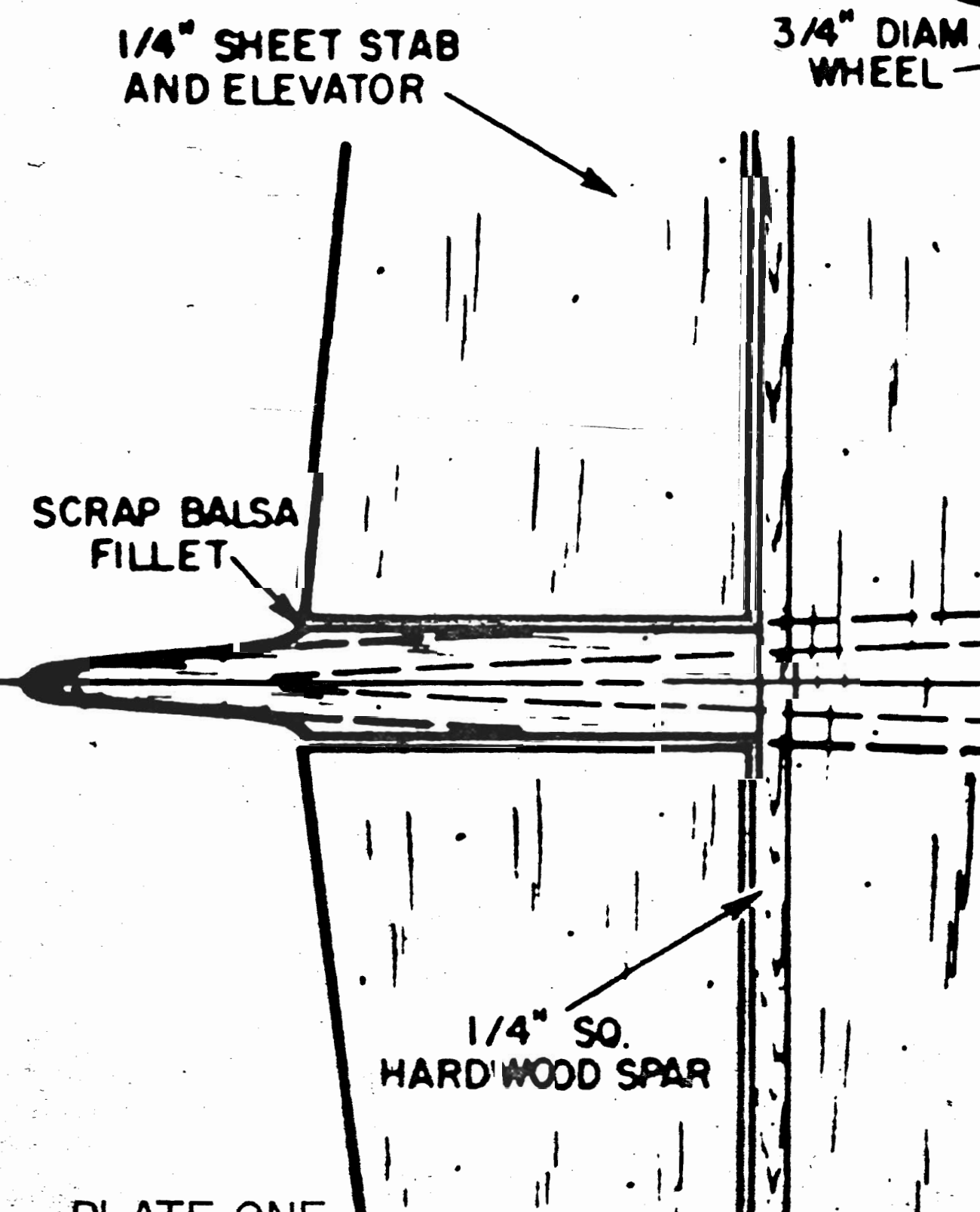
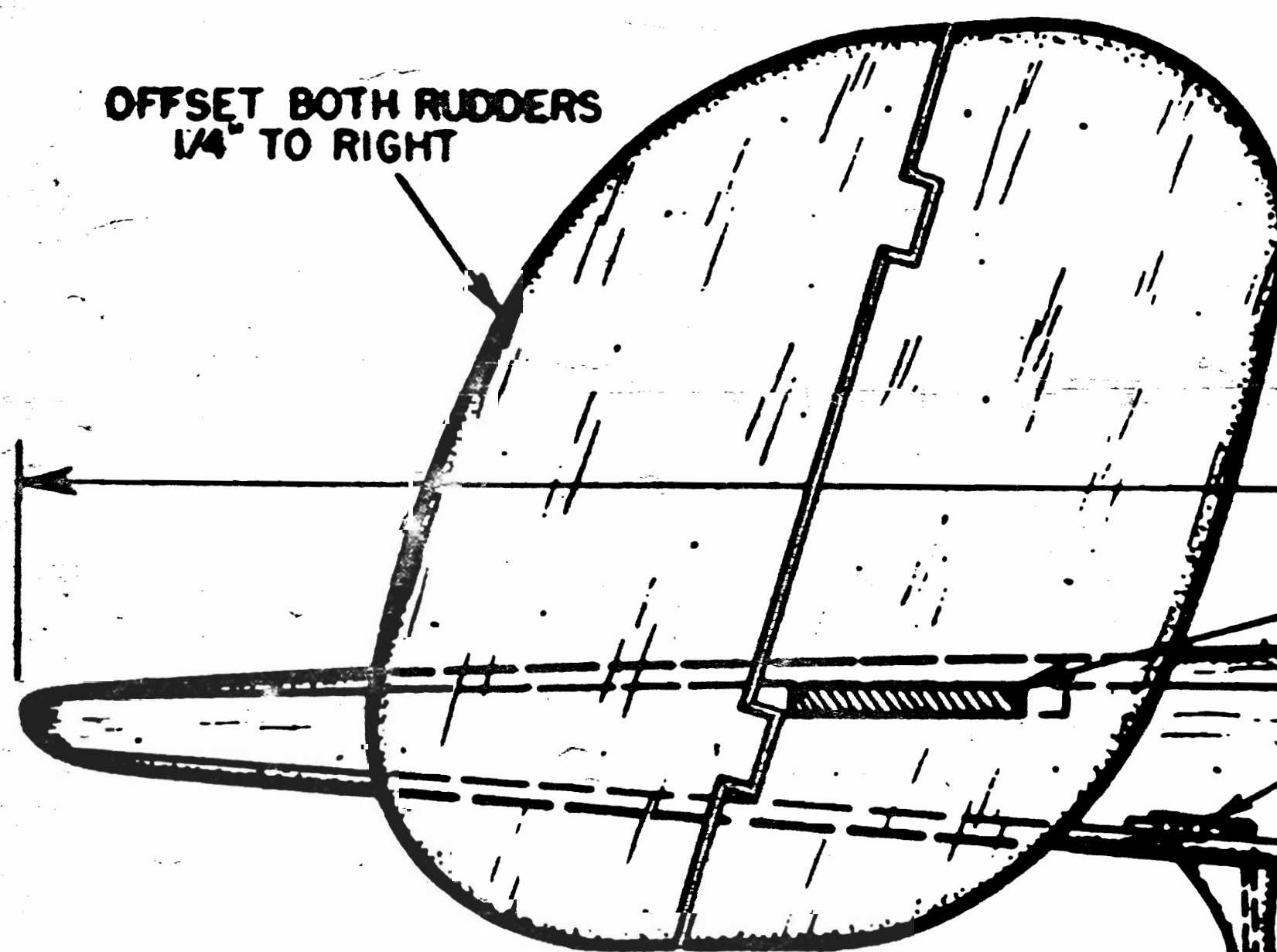


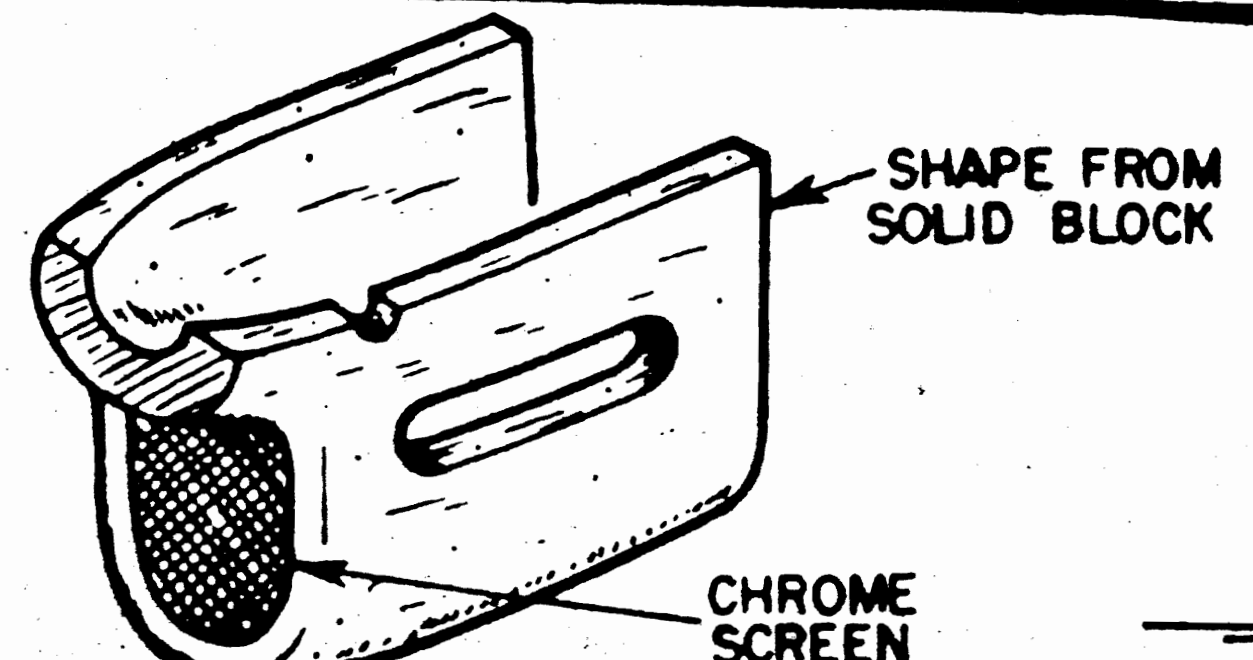
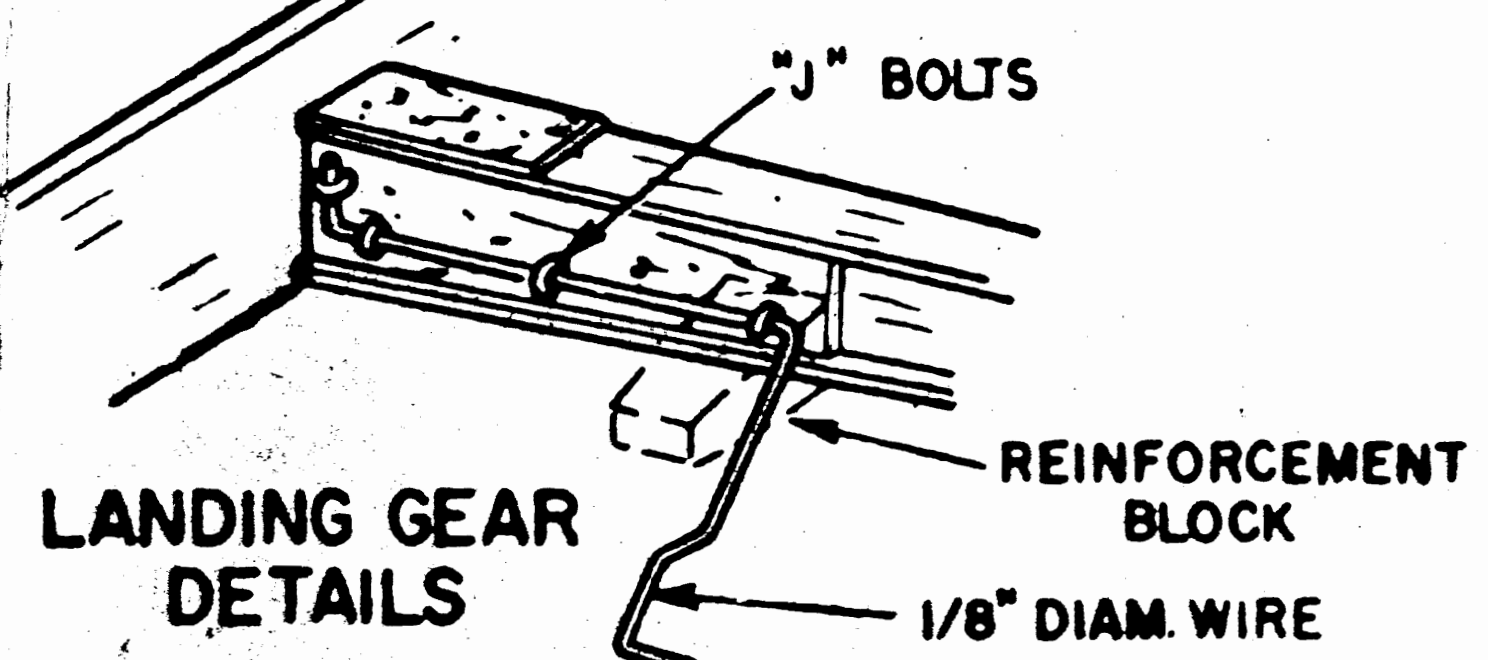
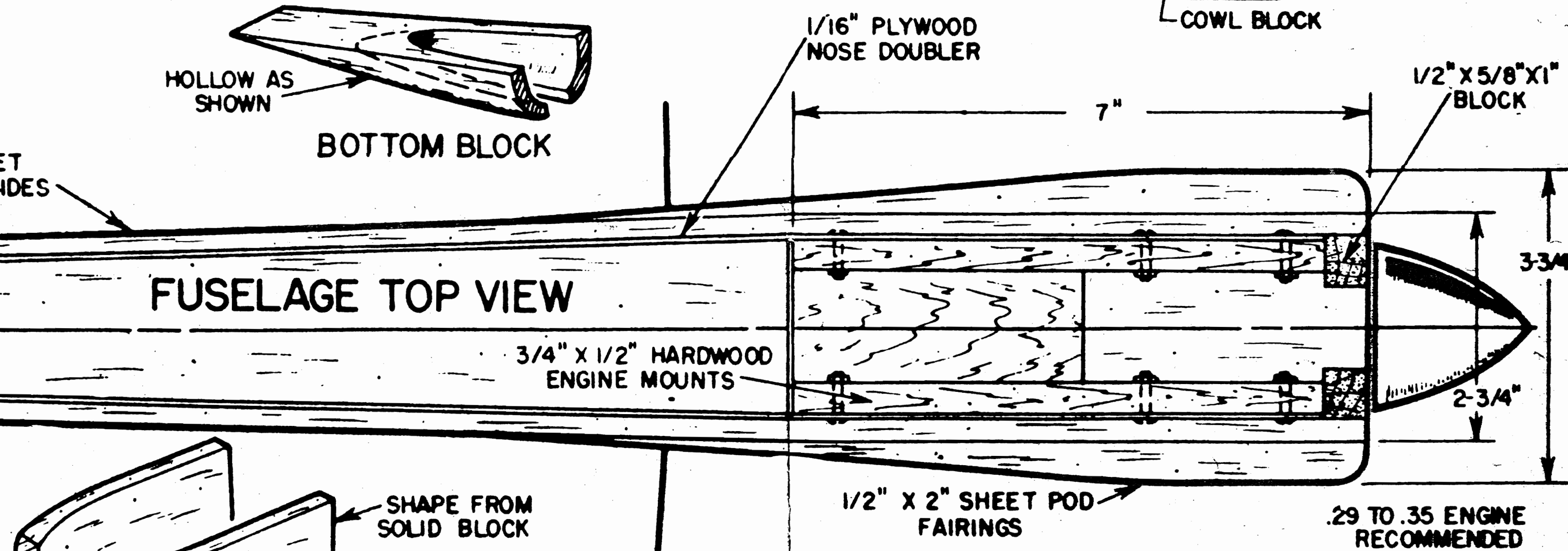
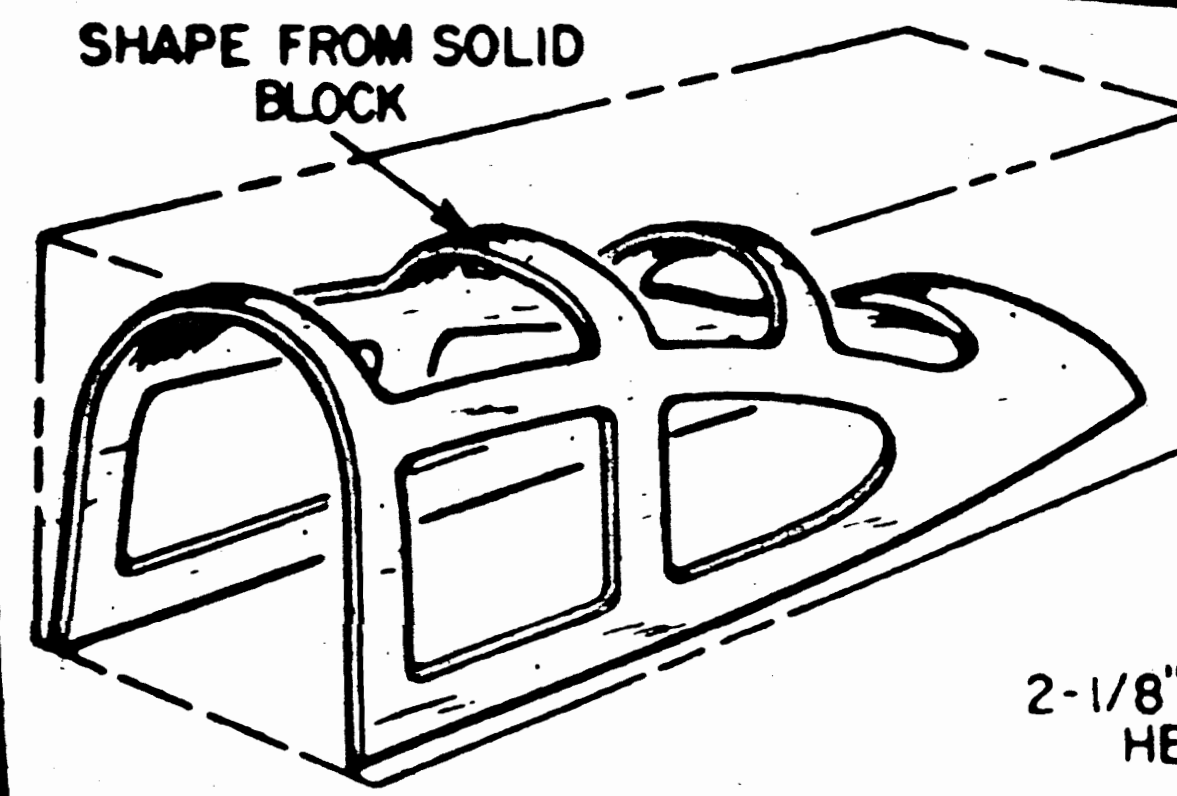
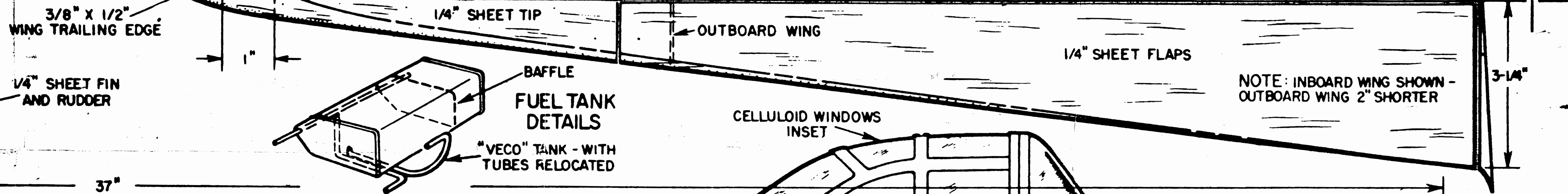
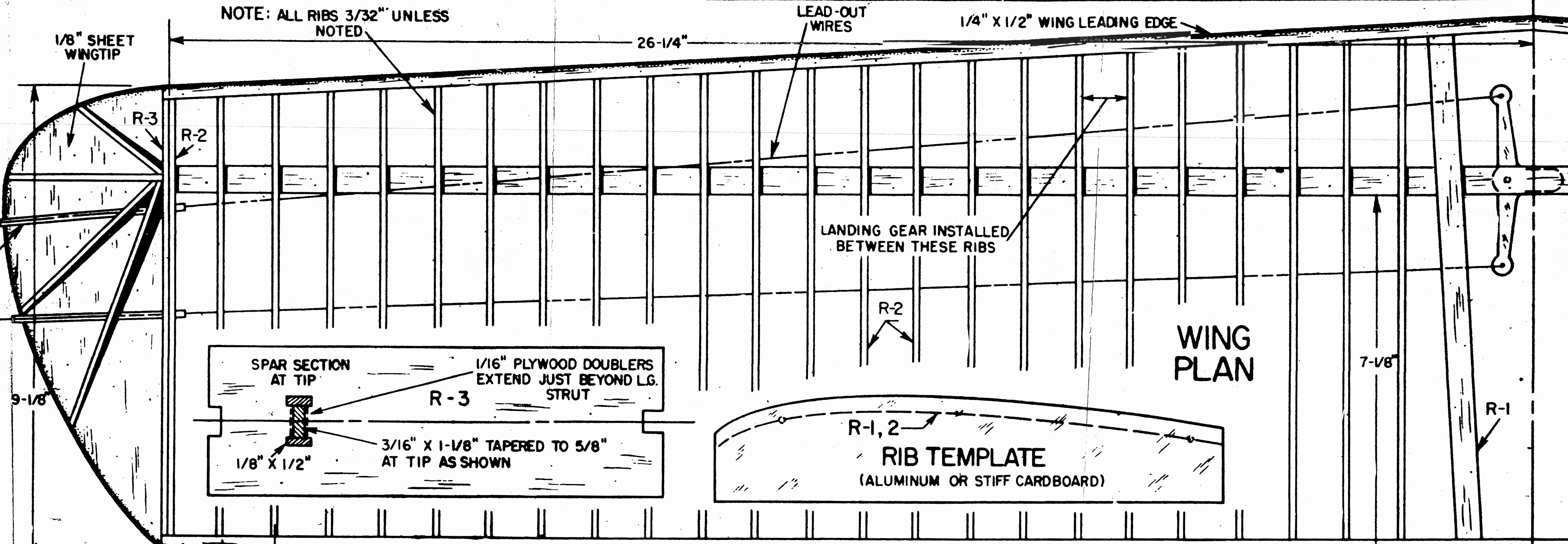
BASIC ASSEMBLY SKETCH



OFFSET BOTH RUDDERS 1/4" TO RIGHT



NOTE: ALL RIBS 3/32" UNLESS NOTED



NOTE: DRAWINGS ARE ONE QUARTER SCALE UNLESS OTHERWISE NOTED. USE Balsa UNLESS OTHERWISE SPECIFIED.